

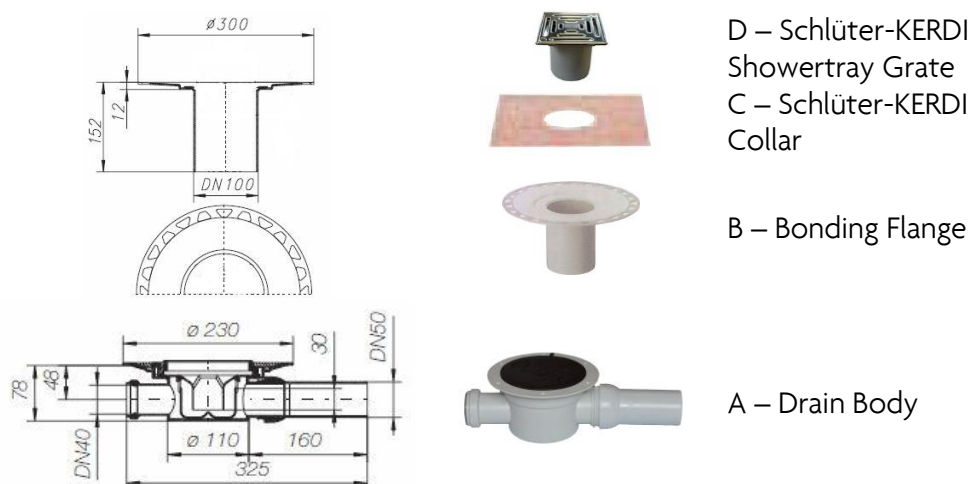
SHOWERTRAY DRAIN INSTALLATION GUIDE

CONCRETE SUBSTRATE INSTALLATION GUIDELINES

These instructions are an overall guide to installing a Schlüter-KERDI-DRAIN shower tray drain in a typical concrete substrate. If your installation differs from this, we will be pleased to advise (for timber/construction board please see overleaf).

1. Install the Schlüter-KERDI-DRAIN *drain body* (a) into the floor assembly and connect to the drainage system.
2. If applicable, install sound installation or heat installation as the next step.
3. Remove the protective cap, cut the Schlüter-KERDI-DRAIN *bonding flange* (b) to size to match the height of the floor assembly and place it into the drain body with some pressure (use lubricant if necessary). NB. To allow for vertical movement in insulated coverings, cut the *bonding flange* (b) so that it does not touch the *drain body* (a).
4. Now install the screed in such a way that the trapezoid perforated *bonding flange* (b) is flush with the upper edge of the screed.
5. Attach the *Schlüter-KERDI collar* (c), with the sealing adhesive Schlüter-KERDI-COLL to create a waterproof transition to the screed. Next, install the bonded waterproofing assembly of Schlüter-KERDI with a sufficient overlap over the collar. If Schlüter-DITRA is used for waterproofing, bring the mat all the way to the perforated edge of the *bonding flange* (b) only. Now install the *Schlüter-KERDI collar* (c) with a full overlap by fixing with a solid bed of Schlüter-KERDI-COLL. The instructions of the corresponding product data sheets, Schlüter-DITRA and Schlüter-KERDI, must be observed.
6. The stone showertray can then be fixed above the installation using a suitable tile adhesive (such as Norcros Thick Bed Floor Adhesive) with care being taken to align the hole in the showertray correctly. The *Schlüter-KERDI Showertray Grate* (d) is fitted into the neck of the *bonding flange* (b), and the rebate of the shower tray. The *Schlüter-KERDI Showertray Grate* (d) is set in the rebate with either Schlüter-KERDI-FIX or a suitable silicone sealant, at this stage the down pipe of the *Schlüter-KERDI Showertray Grate* (d) can also be sealed into the *bonding flange* (b) if required. An application of a suitably colour matched silicone sealant can then be applied to form a seal between the *Schlüter-KERDI Showertray Grate* (d) and the internal edge of the rebate. For alternative substrate installations please contact Schlüter-Systems.

Schlüter drain for installation with stone showertray



BOARD OVERLAY INSTALLATION GUIDELINES

These instructions are an overall guide to installing a Schlüter-KERDI-DRAIN shower tray drain in a typical 18mm exterior grade WBP marine ply or construction board overlay. If your installation differs from this, we will be pleased to advise.

1. Set out the exact position of the showertray, taking account of the location of the drain and waste-pipe.
2. Cut a suitable section of flooring – the Schlüter-KERDI-DRAIN *drain body* (a) will be fitted to this, before the floor is laid. Adequate support of this flooring section should be allowed for, incorporating additional noggins if required.
3. Drill 125mm diameter hole in this section of flooring, preferably in the centre.
4. Accurately chamfer the edge on the upper side of the hole to allow the Schlüter-KERDI *bonding flange* (b) to sit flat on the flooring and the 'step-down' to be set in the rebate formed. A router with the correct tooling is best for this. Alternatively, chisel out a rebate, or use a jig-saw at an angle to form the initial chamfer and then finish with a chisel. Do not fit the *bonding flange* (b) at this stage.
5. Screw through the holes in the flange of the *drain body* (a) into the underside of floor section ensuring the rubber seal is central in the 125m diameter hole. Ensure the outlet is lined up for connection to the waste-pipe.
6. Set section of flooring (including the *drain body* (a)) onto joists. Ensure all four sides are properly supported and the floor section is suitably rigid. Install additional noggins for support if required.
7. Connect the waste-pipe and test for leaks. At this stage, the temporary blanking plate can be fitted over the hole in the *drain body* (a), to prevent debris falling into the drain.
8. The *bonding flange* (b) passes through the hole in the floor and into the seal-ring of the *drain body* (a). Shorten the down pipe of the *bonding flange* (b) to the required depth, using a fine-tooth saw.
9. NB. To allow for sufficient height of movement for coverings with insulation, shorten the *bonding flange* (b) in such a way that it is not in full contact with the drain body.
10. To ensure the correct bedding of the flange, suitable silicone or tile adhesive can be used as a bed in the showertray rebate only. Press the *bonding flange* (b) into place, ensuring it lies flat on the plywood or construction board flooring. The top of the *bonding flange* (b) should be screwed in place with 4 equally spaced countersunk screws.
11. Lay Schlüter-DITRA waterproofing and uncoupling membrane in accordance with Schlüter recommendations right up to the edge of the *bonding flange* (b).
12. Bring the Schlüter-DITRA matting all the way to the perforated edge of the *bonding flange* (b) only. Now install the Schlüter-KERDI collar (c) with a full overlap by fixing with a solid bed of Schlüter-KERDI-COLL. The instructions of the corresponding product data sheets, Schlüter-DITRA and Schlüter-KERDI, must be observed.
13. The stone showertray can then be fixed above the installation using a suitable tile adhesive (such as Norcros Thick Bed Floor Adhesive) with care being taken to align the hole in the showertray correctly. The Schlüter-KERDI-DRAIN *Grate* (d) is fitted into the neck of the *bonding flange* (b), and the rebate of the shower tray. The *grate* (d) is set in the rebate with either Schlüter-KERDI-FIX or a suitable silicone sealant, at this stage the down pipe of the *grate* (d) can also be sealed into the *bonding flange* (b) if required. An application of a suitably colour matched silicone sealant can then be applied to form a seal between the *grate* (d) and the internal edge of the rebate. For alternative substrate installations please contact Schlüter-Systems.

For more information contact:

Schlüter-Systems Ltd.

Tel: 01530 813396

Fax: 01530 813376

Internet: www.schluter.co.uk

E-mail: technical@schluter.co.uk